



EAE Automotive Equipment Company Limited

EAE Wujiang | 1089 North Yunfan Rd,
Wujiang Suzhou
Tel 0086-512-6302886

EAE Shanghai | Rm 505, Bldg 2, No.600,
West Yuxing Rd, Putuo, Shanghai
Tel/Fax 0086-21-52500790/52500785

EAE UK | Unit 2 The Harlewood Business Park,
Shrewsbury, Shropshire SY1 3AG
Tel/Fax 44 944 800 7522/44 844 800 7523



www.eae-ae.com Toll Free Call:400 9911 109 sales@eae-ae.com



2023



ABOUT US



Since 2003, we, EAE Automotive Equipment Company Limited, with manufacturing facility in Wujiang and over 300 employees, focusing on passenger and commercial vehicle service lifts, have been one of the most professional players in the automotive aftermarket.



In recent years, we have taken great stride in market expansion both overseas and in China. With a complete range of passenger vehicle lifts under 8000KG load capacity and commercial vehicle service lifts under 80Tons that are manufactured in-house at our Wujiang manufacturing facility, our products and solutions have been commissioned in over 90 countries. In addition, we have been exceptionally successful in domestic passenger vehicle lift market, winning numerous awards, projects, approvals, and certifications from a number of car manufacturers.



However, because of our realizing that the market is ever-changing and competition increasing, we never ignore our heavy focus in research and development, and product FMEA/longevity testing, product training, and demonstration of our products and solutions.



We hope that you join us in this journey, so that together we can bring our businesses to a new level of success.

EAE is not only your vehicle lift supplier, but your partner.



5/2/2 WARRANTY POLICY
5 years for lift structure
2 years for hydraulic components
2 years for electrical parts



COMPANY EVENTS

2003

Founded

2004

Gradually obtained CE, ISO9001:2000, Australian WorkSafe, GOST Russia certifications.



2007

Established manufacturing facility in Wujiang.



2008

Obtained Approval from GEA/VOSA UK for EAE's 4-Post Car Lift with optional play detector to be part of the MOT vehicle testing process in the UK.



2009

Launched 5.5T long platform scissor lift.



2012

Renamed Ever-Eternal to EAE (Everlift And Everet).



2014

Set up EAE UK branch office to begin trials and explorations of international operations.



2018

Mobile Lifting Table, which designed for dismantling and fixing batteries of electric vehicles, successfully developed.



2020

Vehicle Lift Intelligent Management System successfully developed.



2022

A series of intelligent lifts were successfully launched, including mobile column vehicle lifts and new generation 2-post lift.



INDEX



NEW

INDEPENDENT COLUMNS

E75 5.0T



NEW

INDEPENDENT COLUMNS

E78 8.0T



6214EKZ/6215EKZ 4.0T/5.0T



62CE 3.5T/4.2T/5.0T/6.0T



62BE 3.5T/4.2T/5.0T



C9M/C10M 3.5T/4.2T



C9/C10/C12 4.0T/4.5T/5.5T



F9M/F10M 3.5T/4.2T



F12 5.5T



6435S/R 4.0T/5.0T



6435S/R 6.5T



6435RWF 4.0T/5.0T



6445P 4.0T



6492 3.0T



MOT&ATL LIFTS



PQ/PQS

Axle load up to 4.0T
2014/45/EEC

INDEX



CE

65A40T 4.0T



CE

6501 3.0T



CE

6508V2 3.5T



CE

MR35 3.5T



CE

MR30 3.0T



CE

T50000 3.0T



CE

MS12M 1.2T



CE

MS10 1.0T



CE

HX5 8.0T



CE

8803 4.2T/3.0T



CE

8804 4.0T



CE

LX35 3.5T



CE

CI 3.0T



CE

SCI 3.0T



CE

ML100/ML100D 1.0T

Heavy duty

MAXIMUM
38 COLUMNS

NEW



CE

HDM 8T/10T



CE

HX150/HX300 15T/30T

5T/8T Lifting Capacity | Wireless Easy and Convenient | Independent Columns No Steel Ropes | CE

NEW GENERATION



INDEPENDENT COLUMNS

E28 8.0T

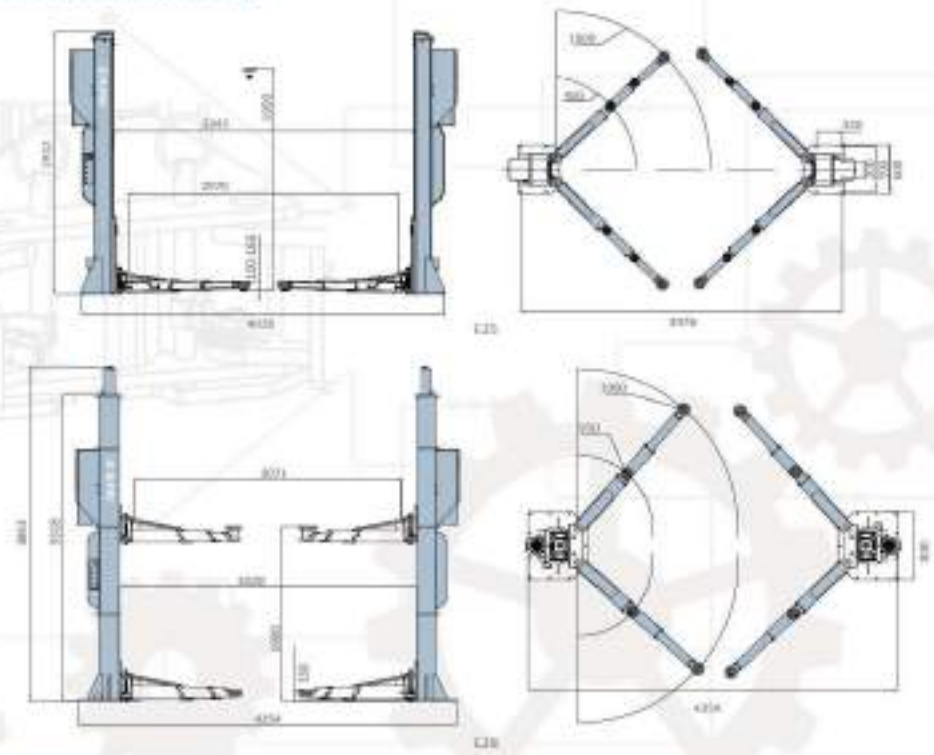


INDEPENDENT COLUMNS

E25 5.0T



OVERALL DIMENSION



E SERIES

TWO INDEPENDENT COLUMNS

- With the maximum capacity being up to 5000KG/10000KG, it is especially suitable for lifting large Pick-ups, MPVs, Vans, medium buses and loaded vehicles.
- Each column has an independent control and hydraulic power unit which provides adequate power for fast lifting and make it able to control at either side.
- No interconnected ropes, hoses or wires between the two posts provides a free and unobstructed working space.
- Synchronization is auto-adjustable achieved by wireless communication technology and deviation is only allowed within a safe range.
- Pure hydraulic drive, no lifting elements like lead screws, chains or wire ropes. Low maintenance cost in the long run.
- Low loads before web and more adaptable to various spaces.
- More flexible three-stage arms.

TECHNICAL DATA

| MODEL NO. | E25 | E28 |
|---------------------|-----------------------------|-----------------------------|
| Lifting capacity | 5000kg | 10000kg |
| Max lifting height | 1900mm | 1800mm |
| Min height | 320mm | 130mm |
| Lifting time | 50S-60S | 50S-60S |
| Motor | 2.0KWx2 | 2.0KWx2 |
| Drive-through width | 2300-3300mm | 2300-3300mm |
| Overall height | 2032mm | 1943mm |
| Electricity supply | According To Customer Needs | According To Customer Needs |

* Max. lifting height is measured with adjustable screw pins in highest position.
 * Machine shown with optional equipment. Actual product appearance may differ.



Intelligent control system



Modified lift and displacement sensor



Second Control box



Motor housing



Four Stage Arms

4T/5T
Lifting Capacity

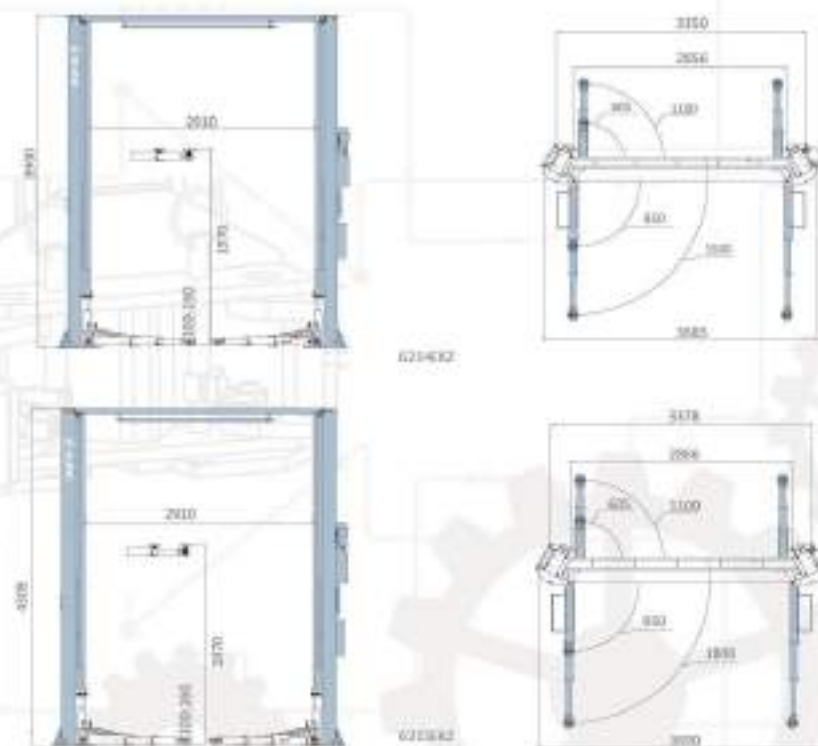
2070MM
Max. Lifting Height
with Standard SUV Adapters

Asymmetric
30 degree column installation
for wider door opening



Wider Door Opening Max. Lifting Height 1970mm

OVERALL DIMENSION



6214EKZ/6215EKZ

ASYMMETRIC CLEAR FLOOR LIFT

- Best-in-class design for easy movement of maintenance equipment under the raised vehicle.
- 30 degree of column installation leaves more space for opening the door.
- Only 40 seconds raising time with optional quick motor to shorten your service time.
- The four triple stage arms combination accommodates a wide range of vehicles, from Smart to Sprinter, light van.
- Durable cylinders in each column carry with anti surge valves.
- Screw up lifting pads with clearance height less than 100mm.
- The arms locks engage and disengage automatically.
- With vehicle roof protection, the power system switches off when vehicle roof touches the rubber protected overhead bar.
- Aluminium motor avoids overheating and ensures long service life.
- Durable powder coating.
- Standard door protection pads to prevent possible damage to the door panel without caution.
- Durable column casters.
- Pre-filled hydraulic pressure prevents overloading operation.
- ABS control bar with rubber gasket sealing.
- CE certified.

TECHNICAL DATA

| MODEL NO. | 6214EKZ | 6215EKZ |
|---------------------|-----------------------------|-------------|
| Lifting capacity | 4000kg | 5000kg |
| Max. lifting height | 1970mm | 1970mm |
| Drive-through width | 2500mm | 2500mm |
| Lifting time | 55s | 55s |
| Motor | 2.2kW | 2.2kW/3.0kW |
| Weight | 620kg | 800kg |
| Electricity supply | According To Customer Needs | |

* Max. Lifting height is measured with adjustable screw pads at highest position.
* Notable shown with optional equipment. Actual product appearance may differ.



Strong Carriage and Arm Structure



Aluminium Motor



ABS Control Bar



Hand Screw-up Lifting Pad



Asymmetric Column

6000KG
Max. Capacity

APS
Accurate Parking System
Technology By EAE

2000MM
Max. Lifting Height
with Standard SUV Adapters



62CE-35T/42T/50T



62CE-60T



62C

TWO POST LIFT WITH APS TECHNOLOGY

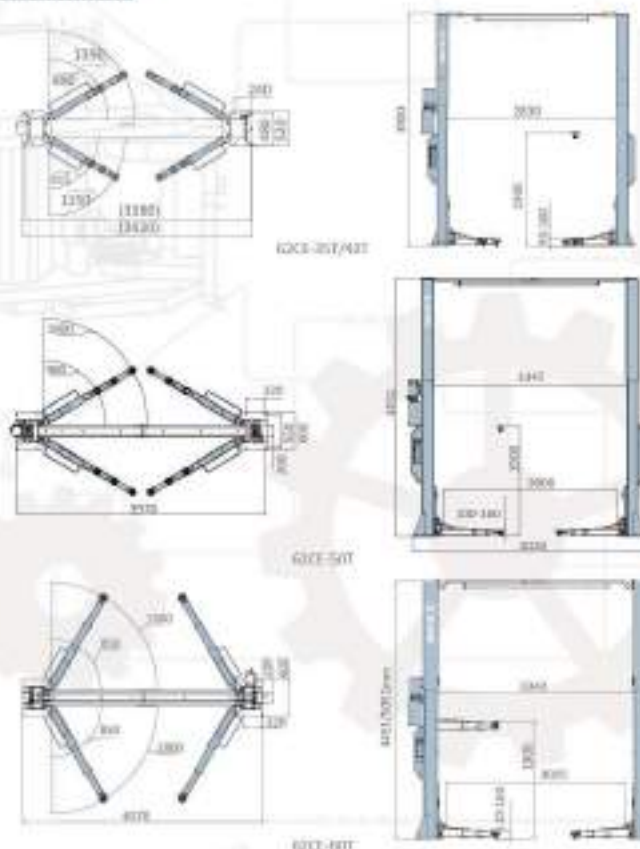
- Clear floor design for easy movement of maintenance equipment under the raised vehicle.
- With APS technology.
- 1900mm lifting height.
- 3000kg/4000kg/5000kg/6000kg lifting capacity.
- Double rollers in each column carry with anti-bump wheels.
- Screw-up lifting pads with clearance height less than 50mm.
- The arm locks engage and disengage automatically.
- 3-stage short arm and 2-stage long arm. (62C-3.5T/4.2T)
- More flexible three-stage arms (62C-5.0T/6.0T)
- Vehicle roof protective device.
- Standard aluminum motor works over-heating and ensures long service life.
- Durable powder coating.
- Standard clear protection path to prevent possible damage when opens the door without caution.
- Standard column curtain.
- Pre-heat hydraulic pressure prevents overloading operation.
- APS control box with rubber gasket sealing.
- CE certified.



Accurate Parking System(62CE-3.5T/4.2T/5.0T)

As indicated as APS, it enables to efficiently park the lifted vehicle at exact height which is necessary for chassis maintenance, transmission repair or changing. Without this APS system, it is hard and also time-consuming to park exactly in each time you lower the vehicle, the carriage of the lift will rise to release the mechanical safety catch.

OVERALL DIMENSION



TECHNICAL DATA

| MODEL NO. | 62CE-35T/42CE-42T | 62CE-50T | 62CE-60T |
|----------------------|-----------------------------|-------------|-------------|
| Lifting capacity | 3000kg/4000kg | 5000kg | 6000kg |
| Max. lifting height | 1900mm | 1900mm | 1900mm |
| Overall height | 2300mm | 2410mm | 2450/2600mm |
| Min. height | 90mm | 100mm | 110mm |
| Stroke-through width | 2150mm | 2000mm | 2025mm |
| Lifting time | 55s | 60s | 85s |
| Motor | 2.2kW/3.5kW | 2.2kW/3.5kW | 2.2kW |
| Electricity supply | According To Customer Needs | | |

* Max. lifting height is measured with adjustable screw pads at highest position.
* Machine shown with optional equipment. Actual product appearance may differ.



APS Control Box

Rubber Motor



3 Stage Short Arm And 2 Stage Long Arm (62C-3.5T/4.2T)



5000KG
Max. Capacity

APS
Accurate Parking System
Technology By EAE

2000MM
Max. Lifting Height
with Standard SUV Adapters



62BE-35T/42T



62BE-50T



62B

TWO POST LIFT WITH APS TECHNOLOGY

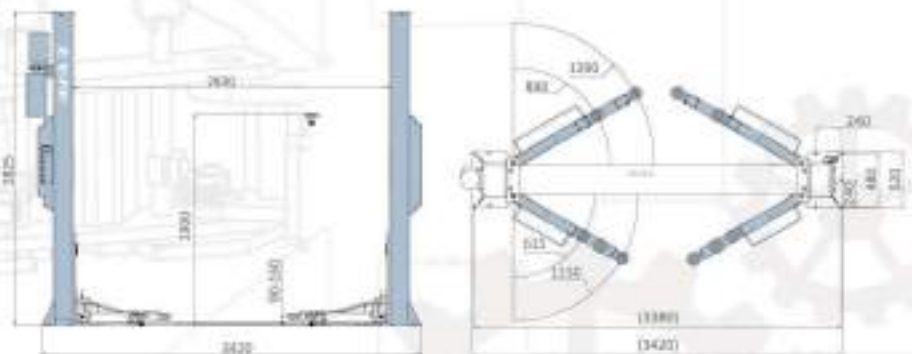
- Base Plate type for low ceiling workshops and garages.
- With APS technology.
- 2000mm lifting height.
- 5000kg/4200kg/3000kg lifting capacity.
- Durable cylinders in each column carry with anti-curge valves.
- Screw-up lifting pads with clearance height less than 300mm.
- 3-stage short arm and 2-stage long arm (62B-35T/42T)
- More flexible three-stage arms (62B-50T)
- The arm locks engage and disengage automatically.
- Standard aluminium motor avoids overheating and ensures long service life.
- Durable powder coating.
- Standard door protection pads to prevent possible damage when open the door without caution.
- Standard column curtain.
- Pre-fixed hydraulic pressure prevents overloading operation.
- APS control box with rubber gasket sealing.
- CE certificated.



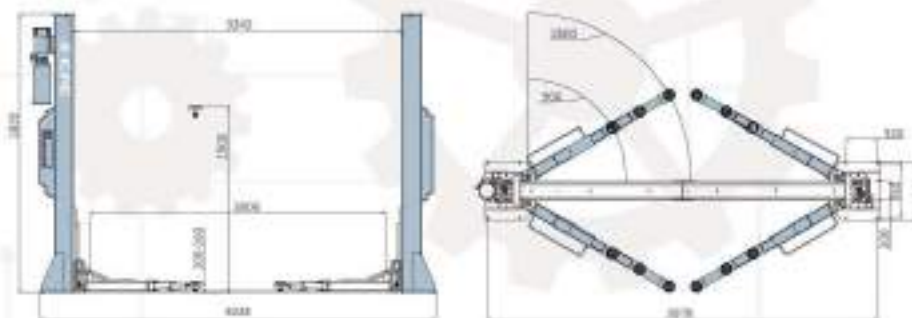
Accurate Parking System

As indicated as APS, it enables to efficiently park the lifted vehicle at exact height which is necessary for chassis maintenance, transmission repair or changing. Without this APS system, it is hard and also time-consuming to park exactly as each time you lower the vehicle, the carriage of the lift will rise to release the mechanical safety catch.

OVERALL DIMENSION



62BE-35T/42T



62BE-50T

TECHNICAL DATA

| MODEL NO. | 62BE-35T/42T | 62BE-50T |
|---------------------|-----------------------------|-------------|
| Lifting capacity | 3000kg/4200kg | 5000kg |
| Max. lifting height | 1900mm | 1900mm |
| Overall length | 2633mm | 3300mm |
| Min. height | 90mm | 100mm |
| Drive-through width | 2032mm | 3000mm |
| Lifting time | 55s | 60s |
| Motor | 2.2kW/3.5kW | 3.2kW/3.5kW |
| Electricity supply | According To Customer Needs | |

* Max. lifting height is measured with adjustable screw pads at highest position.
* Machine driven with optional equipment. Actual product appearance may differ.



Strong Carriage and Arm Structure



APS Control Box



Chain support with loadproof protection



Round screw-up lifting pad



3 Stage Short Arm And 2 Stage Long Arm (62B-35T/42T)

3500KG/4200KG
Lifting Capacity

Single Hand-Held
Release

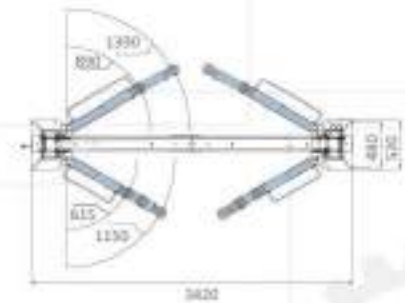


C9M/C10M

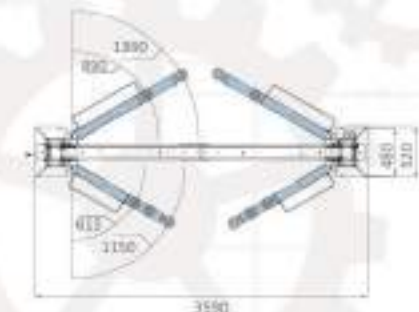
OVERALL DIMENSION



C9M



C10M



C9M/C10M

TWO POST LIFT

- Close floor design for easy movement of maintenance equipment under the raised vehicle.
- Cylinder straight up/down, not more smoothly.
- Durable cylinders in each column with anti-surge valves.
- With vehicle roof protection. The power system switches off when vehicle roof touches the rubber protected overhead bar.
- Pre-load hydraulic pressure prevents overloading operators.
- Standard column ramps.
- 2W safe control system.
- 3-stage short arm and 2-stage long arm.

TECHNICAL DATA

| MODEL NO. | C9M | C10M |
|------------------------|-----------------------------|------------|
| Lifting capacity | 3500kg | 4200kg |
| Max. lifting height | 1900mm | 1900mm |
| Min. height | 95mm-140mm | 95mm-140mm |
| Lifting time | 55s | 55s |
| Motor | 2.2kW | 2.2kW |
| Drive-through width(A) | 2558mm | 2728mm |
| Column width(B) | 3420mm | 3420mm |
| Inside Column(C) | 3330mm | 3000mm |
| Electricity supply | According To Customer Needs | |

* Max. lifting height is measured with adjustable screw pads at higher position.
* Machine shown with optional equipment. Actual product appearance may differ.



Single Hand-Held Release



Strong Carriage and Arm Structure



Base for making both sides work independently



2W Control Box



3-Stage Short Arm And 2-Stage Long Arm

3500KG/4200KG/5500KG
Lifting Capacity

Single Hand-Held
Release



F12



F9M/F10M

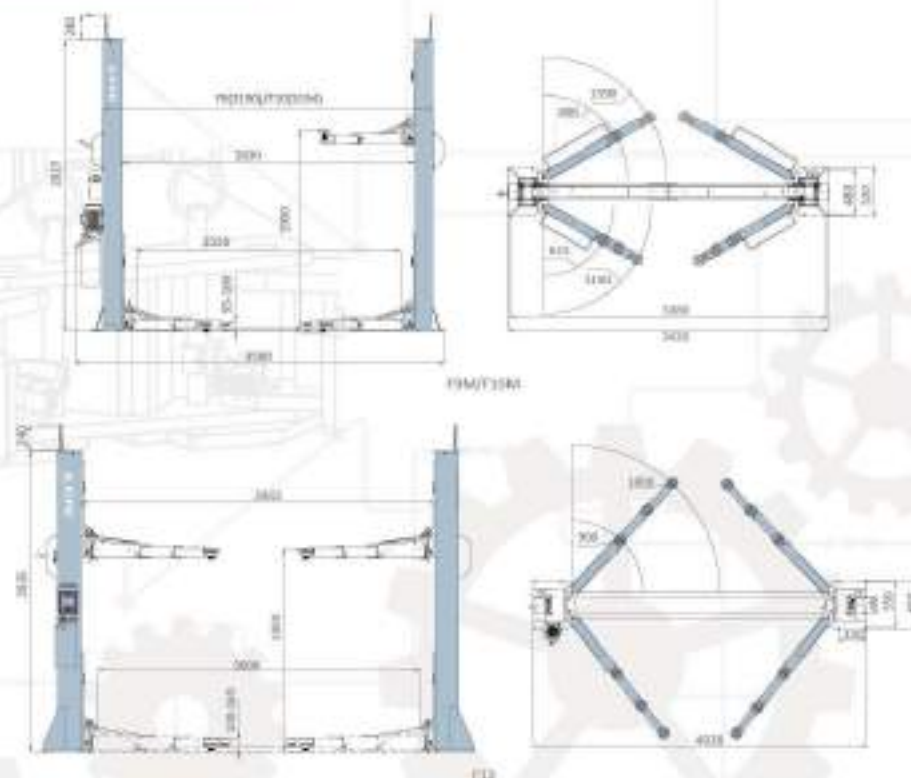


F SERIES

TWO POST LIFT

- Single side release for mechanical safety locking unit.
- Durable cylinders in each column with anti-surge valves.
- Standard door protective pads to prevent possible damage to the door opened without caution.
- Pre-fixed hydraulic pressure prevents overloading operation.
- Standard column curtains.
- 30V safe control system.
- 3-stage short arm and 2-stage long arm (F9M/F10M)
- Floor flexible Three-stage Arms (F12)

OVERALL DIMENSION



Single Side Release



Spring Carriage and Arm Structure



34 Control Box



Hand Held Lifting Tool



3-Stage Short Arm And 2-Stage Long Arm (F9M/F10M)

| MODEL NO | F9M | F10M | F12 |
|---------------------|-----------------------------|--------------|---------------|
| Lifting capacity | 3500kg | 4200kg | 5500kg |
| Max. lifting height | 1900mm | 1900mm | 1900mm |
| Max. height(OC) | 950mm-1120mm | 950mm-1120mm | 1000mm-1120mm |
| Lifting time | 55S | 55S | 65S |
| Capacity of motor | 2.2kW | 2.2kW | 2.2kW |
| Overall height | 2627mm+240mm | 2627mm+240mm | 2835mm+240mm |
| Door through | 2550mm | 2550mm | 3000mm |
| CE certification | ✓ | ✓ | / |
| Electricity supply | According To Customer Needs | | |

* Max. lifting height is measured with adjustable screw pads at highest position.
* Machine shown with optional equipment. Actual product appearance may differ.

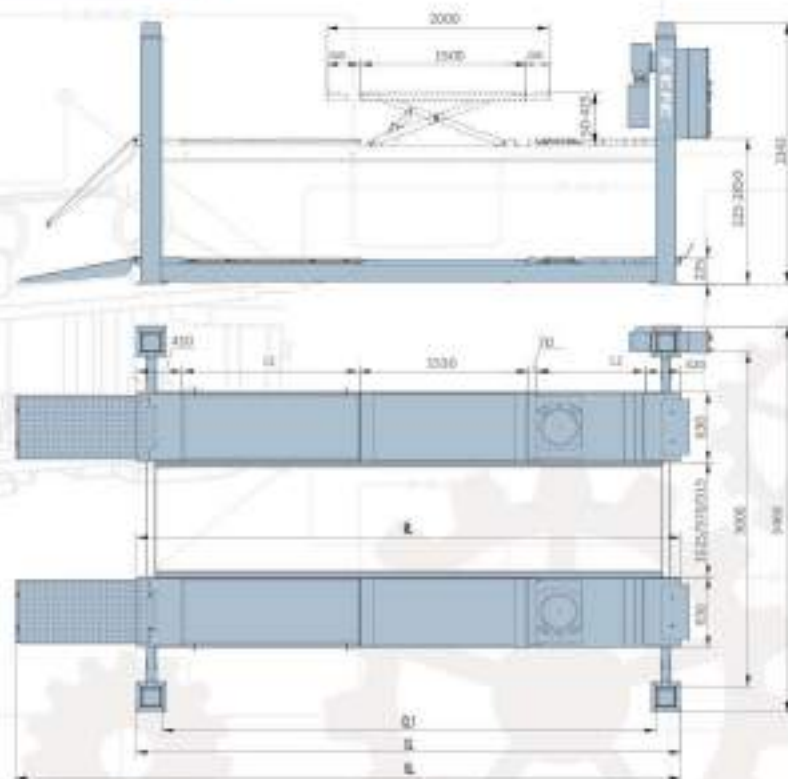
5000KG
Max. Capacity

3000MM
Between Columns for 3D Aligning

Wheel Free Lift
Standard 4000KG



OVERALL DIMENSION



FOUR POST LIFT



6435BWF

FOUR POST LIFT

- 5000kg/3000kg lifting capacity.
- Built-in wheel free jack has a max capacity of 4000kg and is extendable in length.
- Long dip plate and adjustable turntable positions accommodate different kinds of wheelbases.
- Electrical release, just press UP and DOWN button to control the lift.
- Wide platforms for easier driving on and off.
- 3000mm distance between two columns compatible to 3D wheel aligner.
- The great planeness of runways is perfect for high accurate wheel aligning.
- Driving on ramps with polymer rollers.
- Reversed tracks on platforms fit for optional riding jacks.
- Low profile runway allows the vehicles drive on and off conveniently.
- 2W safe control system.
- Solid and robust cable pulleys.
- Self-lubricated bushing and bearing.
- Platform non-synch rotation alarming system.
- Safety device works immediately in case a cable sheath or falls.
- Alarm buzzer for cable descending.
- Aluminum motor with fan on top to avoid overheating caused by long time working.

TECHNICAL DATA

| Model No. | Lifting Capacity | Max. lifting height | L1 | L2 | R1 | R2 | R3 | R4 |
|------------|------------------|---------------------|------|------|-----|-----|-----|-----|
| 6435BWF-4S | 4000kg/3000kg | 1970 | 1500 | 600 | 480 | 400 | 400 | 500 |
| 6435BWF-2S | | | 1600 | | 500 | 300 | 300 | 400 |
| 6435BWF-2L | 3000kg | | 2000 | 1150 | 270 | 200 | 270 | 400 |



Motor Housing



Dip Plate



Wheel free Jack (4000kg)



Oil Flow Protection



Solid and Robust Cable Pulleys



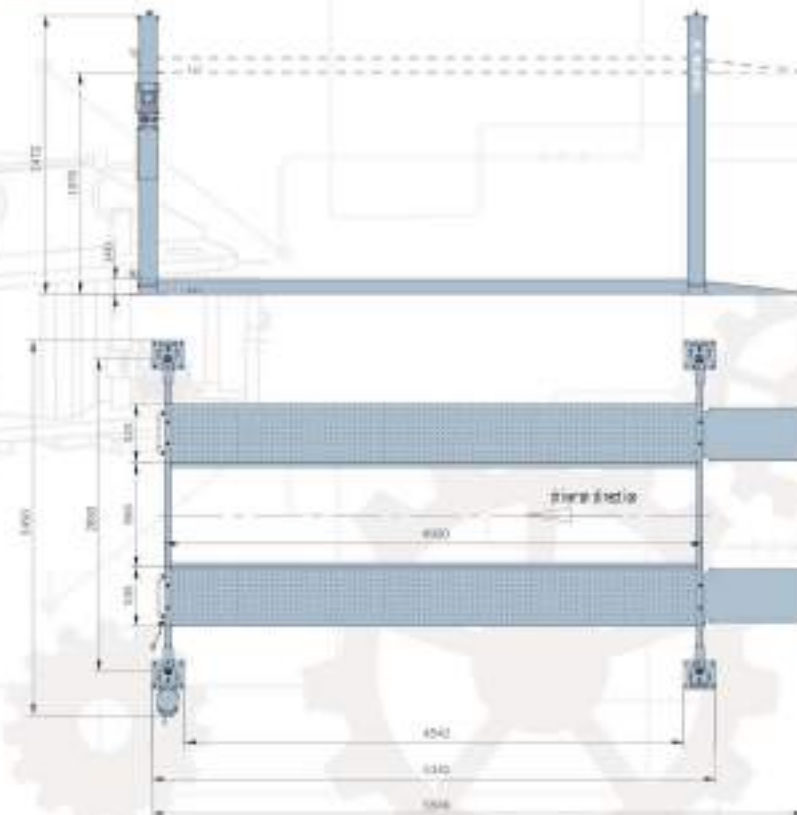
4000KG
Lifting Capacity

1970MM
Lifting Height

4900MM
Longer Runways



OVERALL DIMENSION



6445P

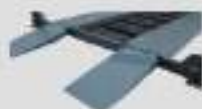
PARKING LIFT

- 4000kg lifting weight, 1970mm lifting height, 4900mm runway length can meet your various parking needs for most of the passenger cars, SUVs or pickup trucks.
- Max. 140mm low profile runway which is essential for parking low chassis sports car.
- Simple but reliable design. User friendly, easy on-site installation and less demanding on foundation.
- Standard of drip pan and jack tray.
- Optional mobile lifts for water removal and radiator.
- Optional aluminum slip decking make the parking area as a whole. Small vehicles like motorcycle, ATV, lawn mower can park on it.
- One side release for safety locks, easy for descent operation.
- Self-lubricating pulleys and pre-lubricated wire rope for extended service life.
- Mechanical locks automatically engaged into position in ascending process.
- Out of level protection, safe and reliable.

TECHNICAL DATA

| MODEL NO. | 6445P |
|-----------------------------|------------------------------|
| Lifting capacity | 4,000kg |
| Max. lifting height | 1,970mm |
| Min. height | 140mm |
| Post height | 2,472mm |
| Lifting time | 20s |
| Weight | 1,150kg |
| Lifting height requirements | ± 3000mm |
| Motor | 2.2kW |
| Electricity supply | According To Customers Needs |

* Machine shown with optional equipment. Actual product appearance may differ.



Drive On Ramps



Standard Oil Drip Pan



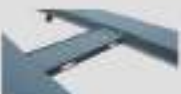
Safety Barrels



Mechanical Safety Locking Unit



Release Handrail Holder



Standard Tread Ties



Cylinder Support



Double Sheave Pulley

3000KG
Lifting Capacity

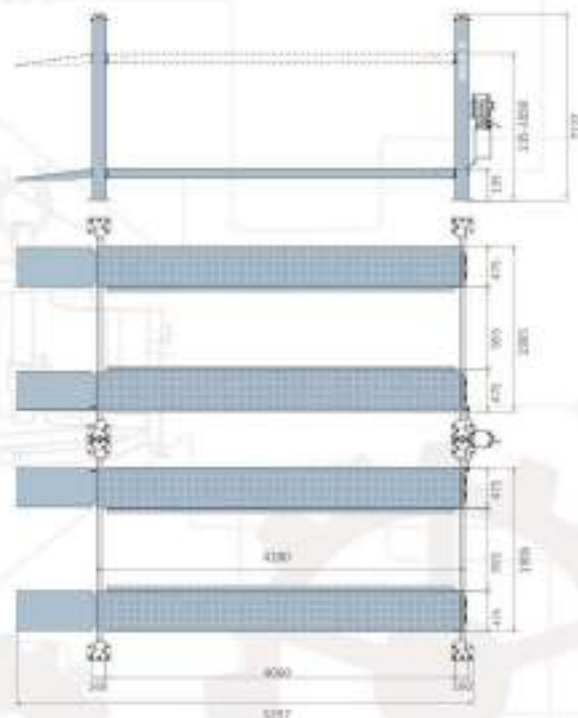
Two Parking Lifts
Share One Power Unit

Space Saving
Less Investment

OVERALL DIMENSION



Install with multiple combinations



TECHNICAL DATA

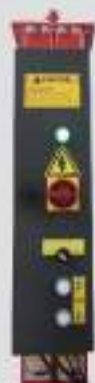
| MODEL NO. | 64P2 |
|--------------------|-------------|
| Lifting capacity | 3000kg |
| Total height | 2122mm |
| Total length | 1100mm |
| Total width | 2570mm |
| Platform length | 4230mm |
| Inter-column width | 2400mm |
| Into the car width | 2300mm |
| Wheelbase range | >=3500mm |
| Track range | 1700-1650mm |
| Min height | 135mm |
| Rated oil pressure | 18MPa |
| Weight | 750kg |



64P2

MULTIPLE COMBINATION PARKING LIFT

- It can be installed in car sales shops, workshops, community supermarkets, for storage of car collection storage and so on.
- It is much more space-saving, less investment and easier maintenance because of the unique design that two parking lifts share one power unit.
- The two units staying adjacent are connected by bolts at the top and secured with expansion bolts at the bottom. It is not only space saving, but also ensures stability.
- Removable drive on ramps can fix on either end upon practical needs.
- 3000kg lifting capacity, 3050mm lifting height.
- Built-in robust and reliable mechanical lock and release devices make it also lock convertible.
- Easy on-site installation and less demanding on foundation.
- 24V safety control settings.
- Optional aluminum alloy decking make the parking area also whole. Ideal within the motorcycle, ATV, lawn mower can park on it.
- Optional oil dip pan.
- Zinc-coating pulleys with bronze bearings of advanced quality.



24V control box



The two units staying adjacent are connected by bolts at the top and secured with expansion bolts at the bottom. It is not only space saving, but also ensures stability.



Built-in robust and reliable mechanical lock and release device.



Wire rope rollers



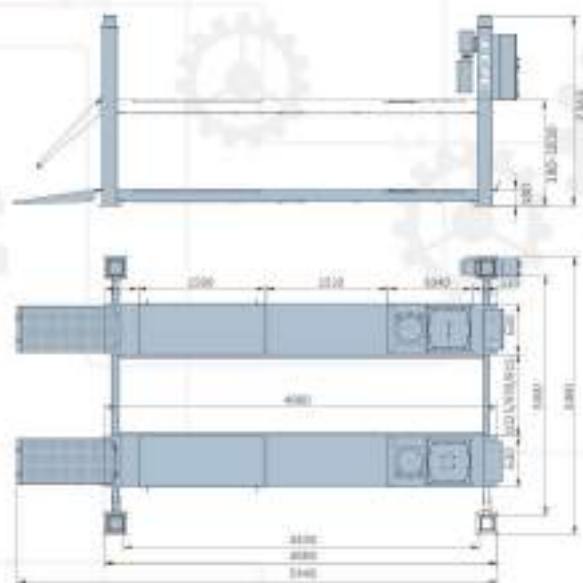
Removable drive on ramps can fix on either end upon practical needs.



6435BPD 4.0T/5.0T

CE

OVERALL DIMENSION



Play Detector

Features of Automobile Suspension Steering System Clearance Tester

It is convenient to check parts fit clearance of automobile suspension steering system. Make sure the front or rear wheels on top of two test boards. Manipulate the two test boards by the switches on the handheld remote control, or the PD remote control unit, move left and right or rotate. It can easily figure out the clearance of pull rod, ball head, steering arms, wheel bearing, etc.

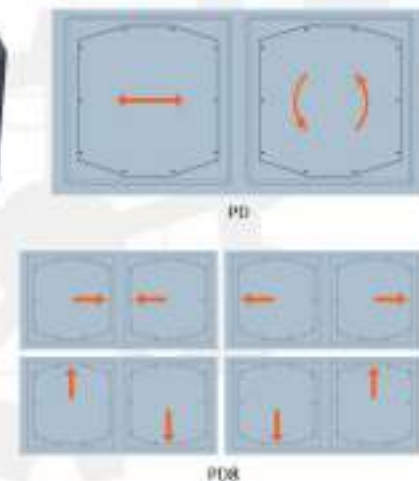
High quality steel, high intensity body, good brand hydraulic spare parts, stable and reliable performance. The clearance tester adopts hydraulic drive. Deck plate can move smoothly under the action of hydraulic pressure, with great difference force. Lighting and control switch on the handheld remote control, easy to control and observe.

This product is especially suitable for monitoring station, routine inspection station in car dealerships, repair shops, etc.



TECHNICAL DATA

Move Route of Play Detector



| Model NO. | PD | PD8 |
|--------------------------------------|-----------------------------|-----------|
| Maximum axle weight | 4000kg | 4000kg |
| Maximum wheel weight | 1500kg | 2000kg |
| Maximum displacement | ±15mm | ±17.5mm/2 |
| Dimensions platform (LxW) | 630x630mm | 630x630mm |
| Test Plate Inner Width x Outer Width | 640x130mm | 650x130mm |
| Maximum plate rotation | ±18° | / |
| Motor | 2.2kW | |
| Working Mode | Hydraulic Drive | |
| Electrical supply | According to Customer Needs | |

* Machine slows with optional equipment, Actual product appearance may differ.

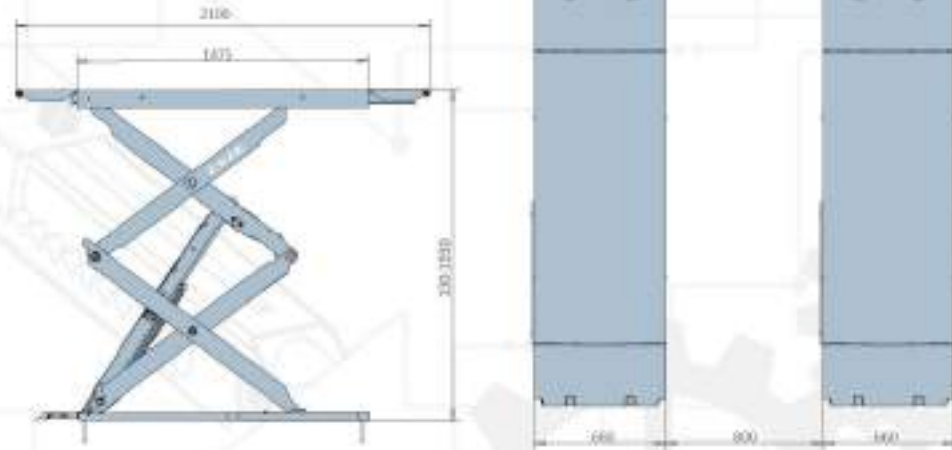


4000KG Lifting Capacity | 130MM Drive-on Height | 1930MM Max. Lifting Height | **CE**



Optional transition ramps for low chassis

OVERALL DIMENSION



TECHNICAL DATA

| MODEL NO. | 65A.40T |
|---------------------|-----------------------------|
| Lifting capacity | 4000kg |
| Max. lifting height | 1930mm |
| Min. height | 130mm |
| Lifting time | 85s |
| Motor | 2.25W |
| Air supply | 6-Bar |
| Platform width | 2100mm |
| Weight | 1000kg |
| Electricity supply | According to Customer Needs |



* Machine shown with optional equipment. Actual product appearance may differ.



65A.40T

FULL RISE SCISSOR LIFT

- 4000kg lifting capacity.
- Above-ground or recessed installation.
- 130mm initial height.
- Four cylinder design.
- Pneumatic released safety locking system.
- Drive-on ramps lock into position as platform extensions.
- Steady rising and lowering, no rattle when lowered to ground.
- Durable rollers with anti-surge system.
- 2Mv auto control system.
- Height limit switch.
- Powder-coated finish.
- Self-lubricated bearing and bearing.
- It has been proved by dynamic test with 115% of rated capacity and static test with 150% capacity.



Anti-surge Roller



Height Limit Switch



Mechanical Safety Lock



6-Bar Safety Control System



Start-Up Plate



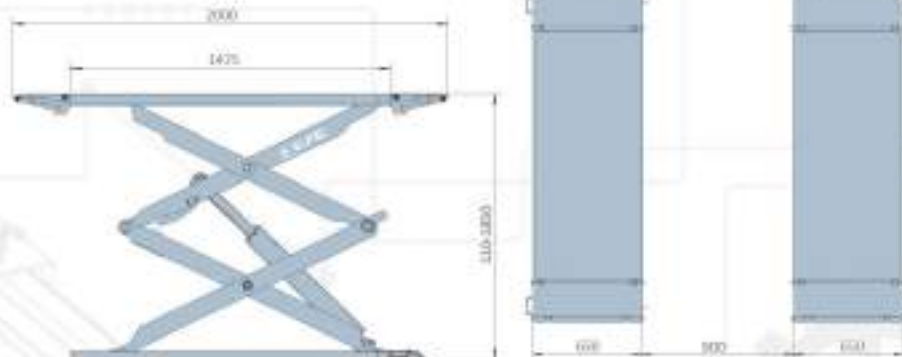
Four Cylinder Design

110MM Drive-on Height | Curved Type Starting up plate | 1850MM Max. Lifting Height | **CE**



Optional transition ramps for low chassis

OVERALL DIMENSION



SCISSOR LIFT



Mechanical safety lock



Drive-on Ramp & Platform Extension



6501

FULL RISE SCISSOR LIFT

- 3000kg lifting capacity.
- Above ground or recessed installation.
- 110mm initial height.
- Infrared eye detection protection system.
- Four cylinder design.
- Pneumatic safety locking system.
- Drive on ramps lock into position as platform extends.
- Steady raising and lowering; no noise when lowered to ground.
- Durable cylinders with anti-leak valves.
- 2M safety control system.
- Height limit switch.
- Powder coated finish.
- Self-lubricated bushing and bearing.
- Aluminium motor, no risks of overheating.

TECHNICAL DATA

| | |
|---------------------|-----------------------------|
| MODEL NO. | 6501 |
| Lifting capacity | 3000kg |
| Max. lifting height | 1850mm |
| Min. height | 110mm |
| Lifting time | 505-605 |
| Motor | 2.2kW/3.7kW |
| W supply | G-Bar |
| Platform width | 2000mm |
| Weight | 1000kg |
| Electricity supply | According To Customer Needs |



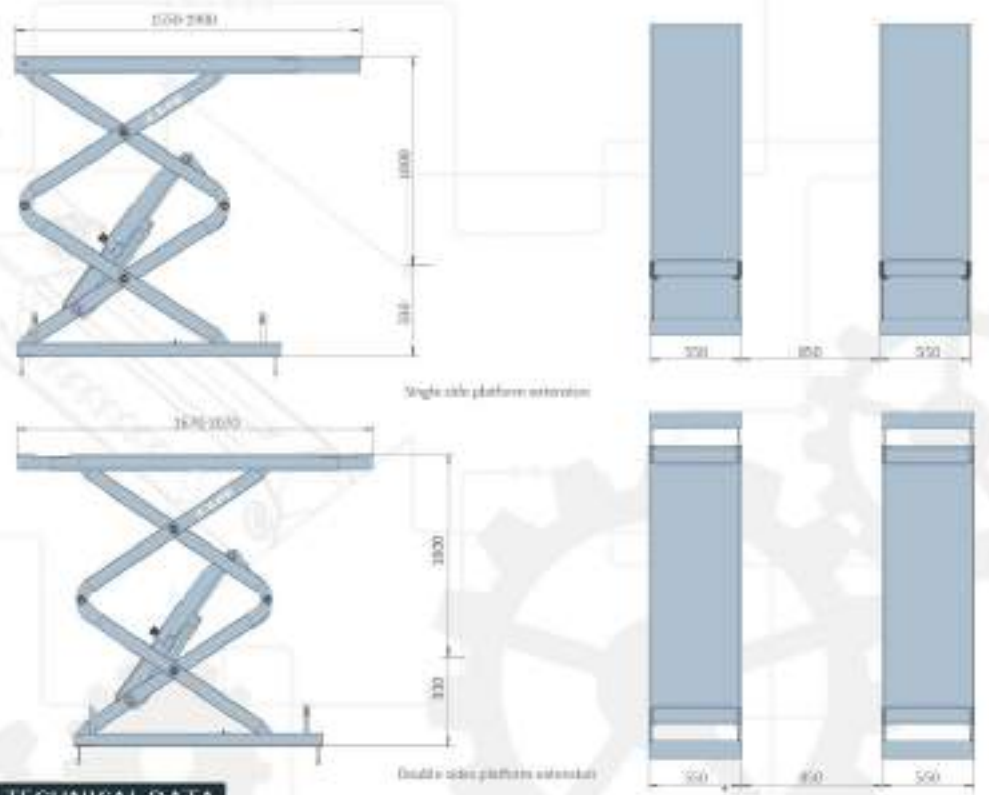
* Machine shown with optional equipment. Actual product appearance may differ.

3500KG | **Extendable Platform** | **ALS (OPTIONAL)** | **CE**
 Lifting Capacity | One Side or Double Sides | Automatic levelling system



ALS
 Automatic Levelling System

OVERALL DIMENSION



TECHNICAL DATA

| MODEL NO. | 6503V2 |
|---------------------|-----------------------------|
| Lifting capacity | 3500kg |
| Max. lifting height | 2130mm |
| Min. height | 300mm |
| Lifting time | 505-605 |
| Motor | 2.2kW/3.5kW |
| Air supply | 6-8bar |
| Platform width | 500mm |
| Weight | 600kg |
| Electricity supply | According To Customer Needs |



Cylinder Support | High Quality Ball Wire



Hydraulic Release Mechanical Lock | One Side Control System

6503V2

FULL RISE SCISSOR LIFT

- 3500kg lifting capacity.
- Revised installation.
- Infrared speed sensitive protection system.
- Freewheel released safety locking system.
- Platform can be extended for long vehicles.
- Durable cylinders with anti-surge valves.
- 2W safe control system.
- Height limit switch.
- Safety descent alarm buzzer.
- Powder coated fields.
- Self-lubricated balling and bearing.
- Aluminium works, on ribs of over-heating.

* Machine shown with optional equipment. Actual product appearance may differ.

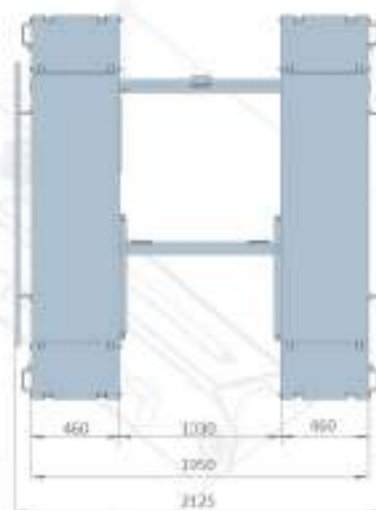
3500KG
Lifting Capacity

110MM
Drive-on Height

Starting-Up Plate
for Easy Raising at Low Point



OVERALL DIMENSION



MR35

MID RISE SCISSOR LIFT

- 3500kg lifting capacity.
- Ideal for the service and narrow bays.
- Mobile design.
- Electrical released safety locking system.
- Durable cylinders with anti-surge valves.
- 2FX safe control system.
- Height limit switch.
- Powder coated finish.
- Self-lubricated bushing and bearing.
- The safeguard against one end lifting.
- Drive up ramps lock into position as platform extension for long vehicles.
- Optional mobile kit makes the lift move to your garage very easily.
- Maintenance free; on side of overloading.

TECHNICAL DATA

| MODEL NO. | MR35 |
|---------------------|-----------------------------|
| Lifting capacity | 3500kg |
| Max. lifting height | 1000mm |
| Min. height | 110mm |
| Lifting time | 40s |
| Motor | 2.2kW |
| Platform width | 650mm |
| Weight | 550kg |
| Electricity supply | According To Customer Needs |

* Machine shown with optional equipment. Actual product appearance may differ.



Low Voltage & Movable Control Unit

Start-Up plate

The safeguard against one end lifting.

Drive on ramps lock into position as platform extension for long vehicles.

Mechanical Safety Lock

Optional mobile kit makes the lift move to your garage very easily.



SCISSOR LIFT

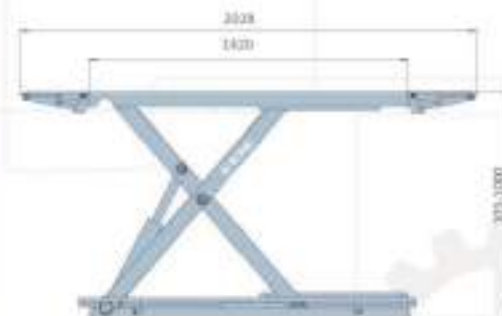
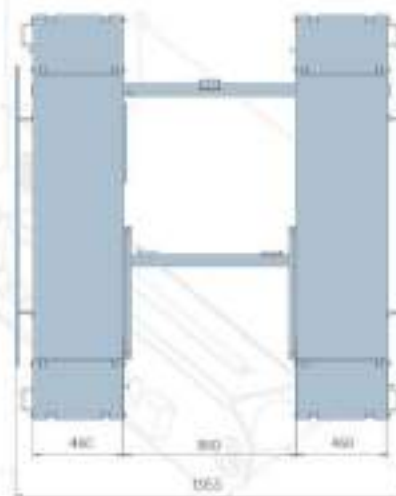
3000KG
Lifting Capacity

105MM
Drive-on Height

Double Safety
Hydraulic and Mechanical



OVERALL DIMENSION



MR30

MID RISE SCISSOR LIFT

- Ideal for the service and narrow bays.
- Middle design.
- 3000kg lifting capacity.
- Electrical released safety locking system.
- Durable cylinders with anti-sag valves.
- 34V safe control system.
- Height limit switch.
- Powder coated finish.
- Self-lubricated bushing and bearing.
- Drive up ramps lock into position as platform extension for larger vehicles.
- Optional mobile kit makes the lift move in your garage very easily.
- Aluminium motor, on risk of overheating.

TECHNICAL DATA

| MODEL NO. | MR30 |
|---------------------|-----------------------------|
| Lifting capacity | 3000kg |
| Max. lifting height | 1000mm |
| Min. height | 105mm |
| Lifting time | 30S |
| Motor | 2.2KW |
| Platform width | 840mm |
| Weight | 420kg±55kg |
| Electricity supply | According To Customer Needs |

* Machine shown with optional equipment. Actual product appearance may differ.



Drive-on Ramp & Platform Extension



Low Position



Height Limit Switch



Mechanical Safety Lock



Lock Voltage & Mobile Control Line



Mobile Kit (optional accessories)

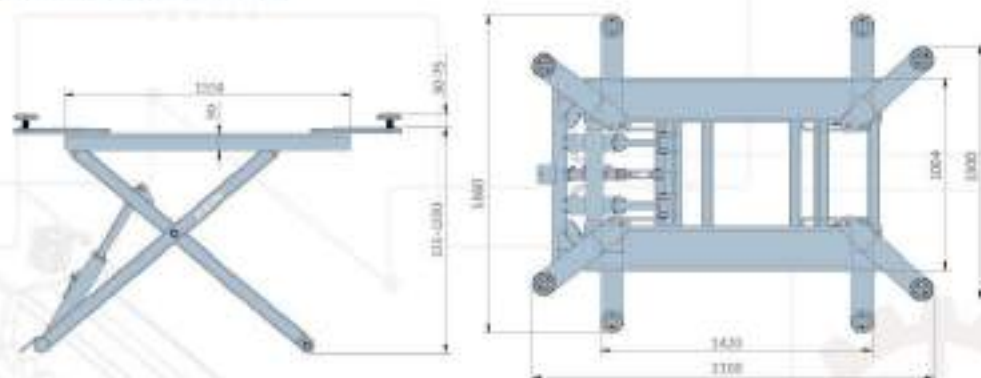
3000KG
Lifting Capacity

Movable
Easy to move

Double Safety
Hydraulic and Mechanical



OVERALL DIMENSION



Weight Arm



Mechanical Safety Lock



TS6600

MID RISE SCISSOR LIFT

- Manual safety lock release;
- Easy to move, Mobile design;
- Dual cylinder structure, ensure stable raising and lowering;
- Ideal for the service and narrow bays;
- Powder coated finish;
- It has been certified by dynamic test with 115% of rated capacity and static test with 150% capacity.



Dual Cylinder Structure



Movable Control Unit



Low Profile

TECHNICAL DATA

| MODEL NO. | TS6600 |
|---------------------|-----------------------------|
| Lifting capacity | 3000kg |
| Max. lifting height | 1200mm |
| Min. height | 115mm-30mm |
| Lifting time | 3500PH/5500PH |
| Motor | 0.75W |
| Weight | 170kg+55kg |
| Electricity supply | According To Customer Needs |

* Machine shown with optional equipment. Actual product appearance may differ.



1200KG Lifting Capacity | Dual-speed system High Efficiency | Movable Space Saving | CE



New Energy Vehicle



Battery Pack



Electric Engine



Engine



Gearbox



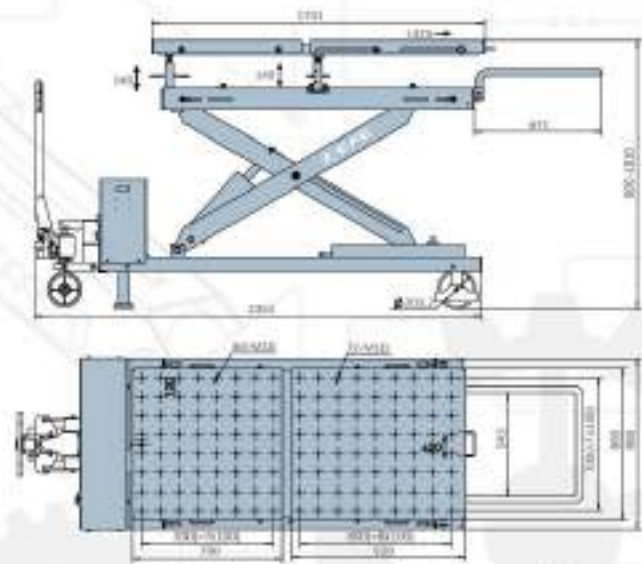
Drive Axle



Fuel Tank

Fuel Vehicle

OVERALL DIMENSION



MS12M HYDRAULIC MOBILE LIFTING TABLE

- It is helpful to assemble and disassemble battery packs for electric vehicles and engine, gearbox, drive axle, fuel tank, suspension, bracket and chassis components for traditional vehicles.
- A extension of 323mm in length, for fast and efficient operation.
- The upper platform can lift within a height of 40mm. The lower platform can extend within a distance of 33mm. This could meet multiple practical needs.
- Reserved holes (100mm x 100mm) on the working table for positioning and fixing components with specialized fixtures.
- The lifting table also features a dual-speed system for fast and precise lifting.
- Maintain an even and stable running and protect the service time of shaft bearings.
- Oil hose with double steel wire fabrications, which has passed pressure test under 40MPa and can work under twice the normal working pressure without leakage.
- Electrically released mechanical locking system.
- 24V Control System Three-pin plug.
- Hand-held button control with stop function.
- Optional self-propelled mobile kit.

TECHNICAL DATA

| MODEL NO. | MS12M |
|-------------------------|---------------------|
| Max. capacity | 1200kg |
| Max. height | 1430mm |
| Min. height | 600mm |
| Platform length | 1741mm-1325mm |
| Platform width | 800mm |
| Base to floor clearance | 196mm |
| Self weight | 750kg |
| Frequency | 50Hz |
| Voltage | 110V/220V/230V/240V |
| Control voltage | 24V |
| Full stroke time | 455-47s |

* Machine shown with optional equipment. Actual product appearance may differ.



Reserved holes (100mm x 100mm)



A max of 316mm extension in length.



Hand-held button control with stop function.



A dual-speed system for fast and precise lifting.

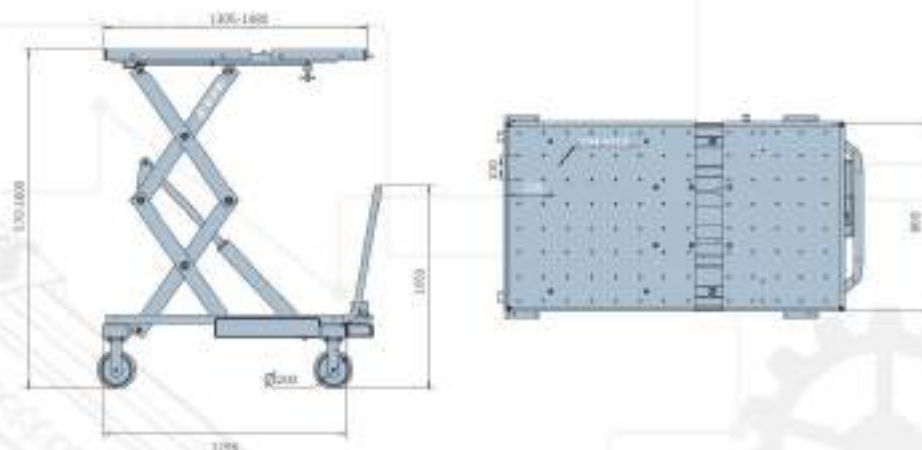
1000KG
Lifting Capacity

Pneumatic Driven
Hydraulic Pump

Movable
Space Saving



OVERALL DIMENSION



TECHNICAL DATA

| MODEL NO. | MS10 |
|---------------------|---------------|
| Rated Capacity | 1000kg |
| Full rise height | 1800mm |
| Initial height | 570mm |
| Air supply pressure | 6-8bar |
| Full rise time | 110s |
| Platform Width | 750mm |
| Platform length | 1300mm-1400mm |

* Machine shown with optional equipment. Actual product appearance may differ.

MS10

MOBILE LIFTING TABLE

- Designed for disassembling and fixing battery packs of electric vehicles as well as engine, gearbox, drive axle, fuel tank, suspension, bracket and chassis components of traditional vehicles.
- Control and power by foot-actuated pneumatic driven hydraulic pump.
- The working table can be tilted by adjusting two independent screws attached with T-type handle.
- The working table can be extended to 1400mm in length for more applications.
- Reserved holes (100mm/30mm) on the working table for positioning and fixing components with specialized fixtures.
- Four heavy-duty and abrasion-resisting casters can steer and move easily and brake effectively.
- Optional non-slip rubber pad to increase friction and avoid clanking with the battery packs.
- Hydraulic cylinder and seal rings with high quality. Overload dynamic test under 110% of the rated capacity.
- Larger base frame ensures better stability and reliability.
- Reserved holes at both sides of the working table for fixing loads with proper straps.
- Power-coating surface ensure long time use without peeling off.

The working table can be extended to 1400mm in length for more applications.

Control and power by foot-actuated pneumatic driven hydraulic pump.

Four heavy-duty and abrasion-resisting casters can steer and move easily and brake effectively.

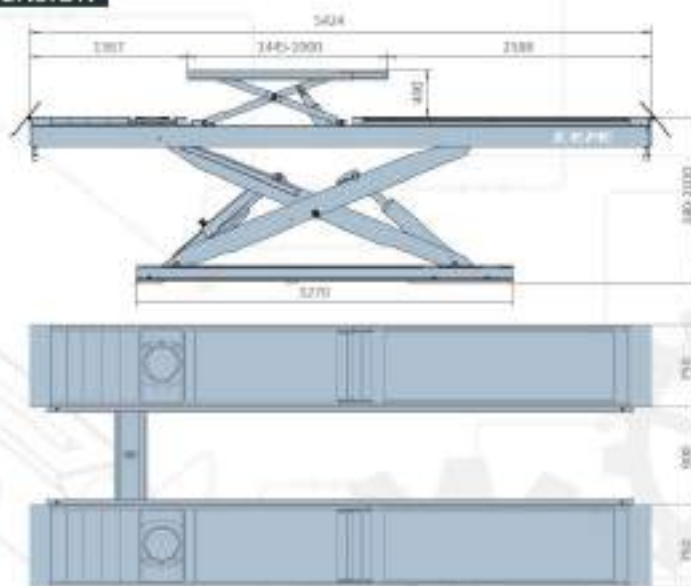


6000KG Lifting Capacity | **5424MM** Long Platform | **All Versions** S, B, BWF Platforms | **CE**

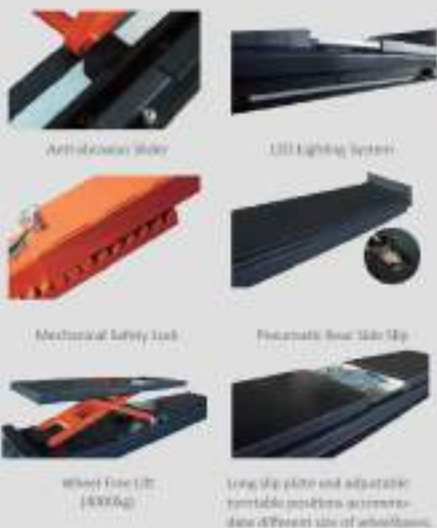


Optional ramps for on-ground installation

OVERALL DIMENSION



- S Flat platform
- B Platform with front recesses and rear slip plates
- BWF Platform with front recesses, rear slip plates and wheel base (B)



HX6

LONG PLATFORM SCISSOR LIFT

- 6000kg lifting capacity.
- X-rated backhoe protection system.
- The great flatness of runways is perfect for high accuracy wheel aligning.
- Long slip plate and adjustable front/rear positions accommodate different size of wheelbases.
- Pneumatic released safety locking system.
- 24V safe control system.
- Self lubricated bushing and bearing.
- Safety deceleration warning buzzer.
- Aluminium cover, no risk of overheating.
- It has been proved by dynamic test with 115% of rated capacity and static test with 150% capacity.

TECHNICAL DATA

| MODEL NO. | HX6 |
|---------------------|-----------------------------|
| Lifting capacity | 6000kg |
| Max. lifting height | 2300mm |
| Min. height | 990mm |
| Lifting time | 72s |
| Motor | 2.2/3kW/2 |
| Air supply | 6-8bar |
| Platform width | 1270mm |
| Weight | 1800kg(BWF) |
| Electricity supply | According To Customer Needs |

* Machine shown with optional equipment. Actual product appearance may differ.



5000KG Max. Capacity | 5100MM Max. Platform Length | CE



6603BWF



Wheel Free (H 1250kg)



Pneumatic Release System



Slip Plate



Mechanical Lock

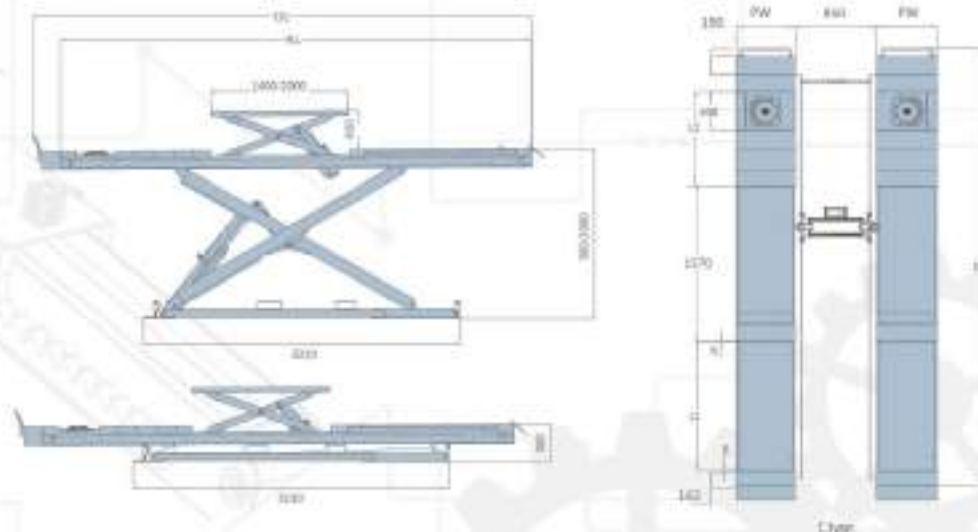


6603

ALIGNMENT SCISSOR LIFT

- 4000kg/5000kg lifting capacity
- Manual leveling/Automatic Leveling System or electrical leveling available
- Inherent synchronization protection system
- In-ground installation or above-ground installation with optional drive-on ramps
- Long slip plate and adjustable variable position accommodate different sizes of wheelbases
- Pneumatic safety locking system
- The great placement of runways is perfect for high accuracy wheel alignment
- Driving on ramps with polymer rollers
- Reversible tracks as platforms for optional rolling jobs (C Type)
- 20V safe control system
- Self-illuminated loading and lowering
- Safety descent - steering buzzer
- Aluminium motor, no risks of overheating

OVERALL DIMENSION



- Y Flat platforms
- S Platforms with front recesses and rear slip plates
- BWF Platforms with front recesses rear slip plates, and wheel free lifts



TECHNICAL DATA

| Model No. | Lifting capacity | PW | RL | HL | LL | LL |
|---------------|------------------|------|------|------|------|------|
| 6603S-40(C) | 4000kg | 0.20 | 4800 | 5842 | N/A | N/A |
| 6603S-50(C) | 5000kg | 0.20 | 5100 | 5842 | 76% | 76% |
| 6603B-40(C) | 4000kg | 0.20 | 4800 | 5642 | 1520 | 1570 |
| 6603B-50(C) | 5000kg | 0.20 | 5100 | 5842 | 1520 | 1570 |
| 6603BWF-40(C) | 4000kg | 0.20 | 4800 | 5642 | 1520 | 1570 |
| 6603BWF-50(C) | 5000kg | 0.20 | 5100 | 5842 | 1520 | 1570 |

* Machine shown with optional equipment. Actual product appearance may differ.

4000KG
Lifting Capacity

180MM
Drive-on Height

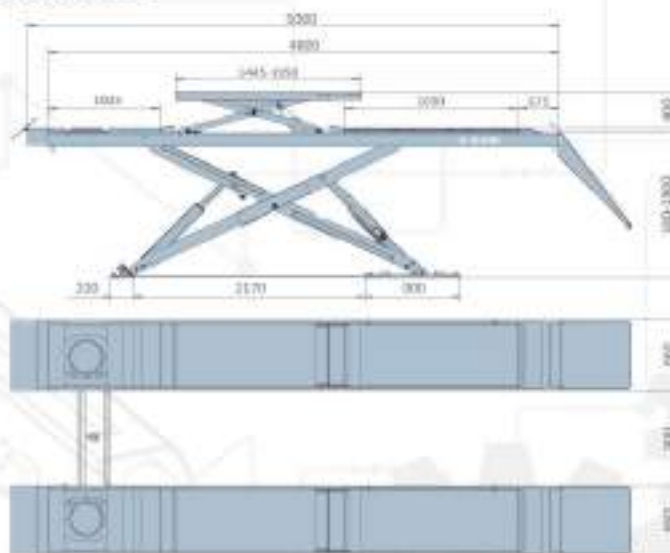
Surface Installation
No More Concrete Work, Ramps Included



OVERALL DIMENSION



6604.BWF



- Flat platform
- Platforms with front recess and rear clip plate
- BWF Platforms with front recess, rear clip plate, and wheel fix fits



6604

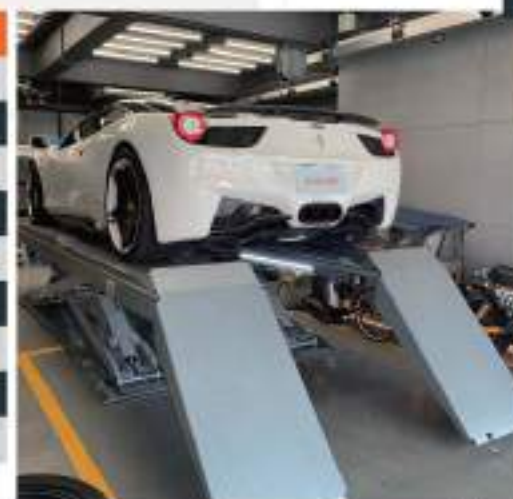
LOW PROFILE SCISSOR LIFT

- 4000kg lifting capacity.
- Above-ground installation.
- Low profile runway demands less space.
- Infrared synchronization protection system.
- The great clearance of runways is perfect for high clearance wheel slipping.
- Long clip plate and adjustable turntable positions accommodate different sizes of wheelbases.
- Recessed tracks on platform fit for optional rolling jacks (available from BWF)
- Permanent safety locking system.
- 24V safe control system.
- Self-lubricated bushing and bearing.
- Safety descent warning buzzer.
- Aluminium cast, no risk of overheating.

TECHNICAL DATA

| MODEL NO. | 6604 |
|---------------------|-----------------------------|
| Lifting capacity | 4000kg |
| Max. lifting height | 1500mm |
| Min. height | 180mm |
| Lifting time | 62S |
| Motor | 2.2kW/3ph, 2.2kW/1ph |
| Air supply | F-Bar |
| Platform width | 625mm |
| Weight | 3200kg(BWF) |
| Electricity supply | According to Customer Needs |

* Machine shown with optional equipment. Actual product appearance may differ.



3500KG
Lifting Capacity

140MM
Drive-on Height

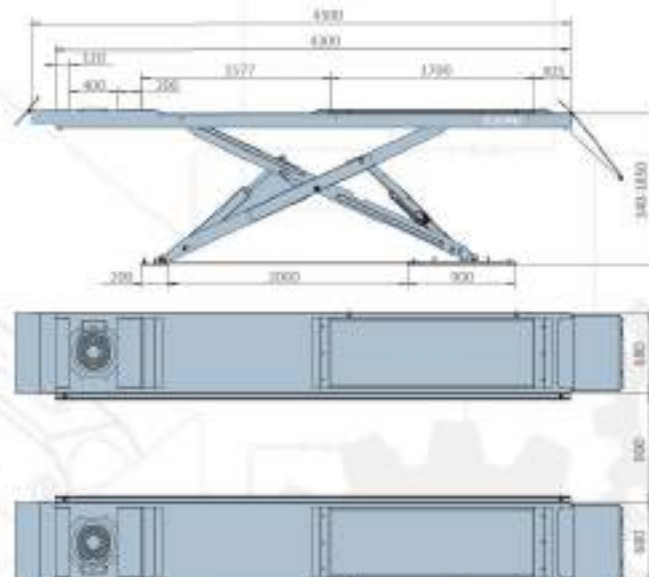
Add-On
Wheel Alignment runway kit (B type)



OVERALL DIMENSION



LX35B
(with optional rolling jacks)



LX35

LOW PROFILE SCISSOR LIFT

- Six Cylindrical mechanical structure. Reliable mechanical locking system protects against capture of hydraulic circuit and ensure better mechanical balance when it is engaged.
- Avoid rapid descending cause by leakage of hydraulic system by applying FLOW-CONTROL technique to hydraulic system.
- Max height switch limits the travel of runways and ensures cylinders work within the stroke.
- Protect against jamming and shearing using skidding feature in descending process.
- 3PC safety control settings.
- Low profile narrow design is less depending on space and suitable for surface installation in basement and other place where it is forbidden to dig a pit.
- Flat and smooth runway (type II) is better for a side body docking service.
- Aluminium motor, no risk of overheating.
- Reversed tracks for optional jacks.
- Modular design meets various practical needs. It is possible to extend 5 runway to 8 runway with extra accessories.

TECHNICAL DATA

| MODEL NO. | CCIT |
|---------------------|---|
| Lifting capacity | 3500kg |
| Max. lifting height | 1050mm |
| Min. height | 140mm |
| Motor | 2.2kW/1ip, 3.5kW/3ip(1/3), 2.2kW+3.5kW (A,FD) |
| Platform width | 4000mm |
| Air supply | 6-8bar |
| Lifting time | 555(3.5kw) |
| Weight | 2200kg |
| Electricity supply | According To Customer Needs |

* Machine shown with optional equipment. Actual product appearance may differ.



Reversed tracks for optional jacks



Turntable (Optional)



Add-on alignment kit



Mechanical Safety Lock



Low profile runway, 140mm total drive-on height

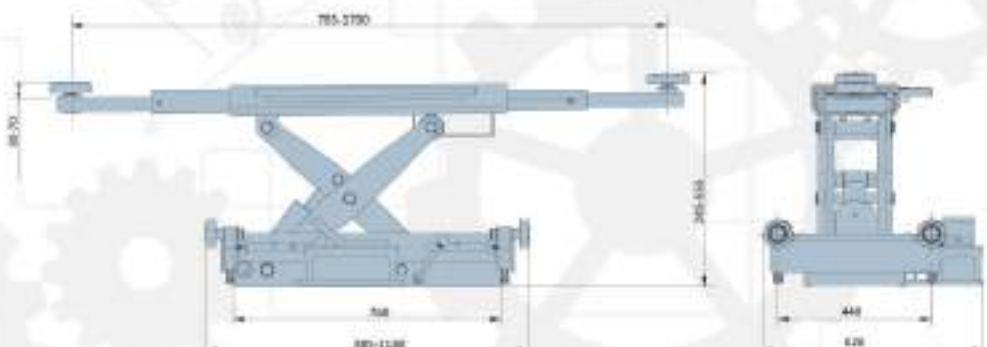
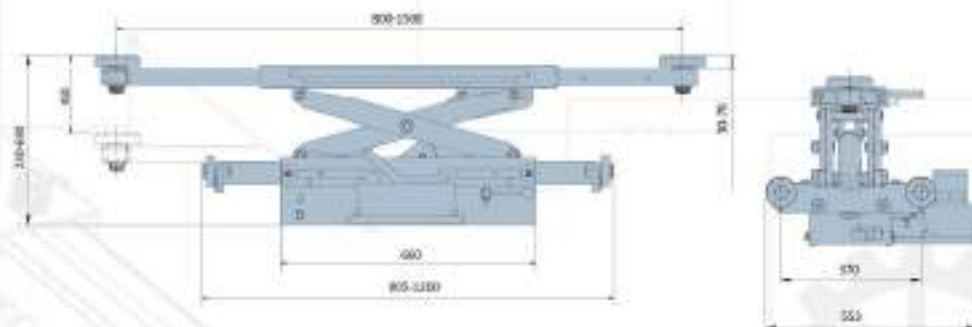
3000KG CE



3000KG CE



OVERALL DIMENSION



MAIN FEATURES

- Durable and compact scissor carrying structure.
- Adjustable width between support wheels to fit different width between runways.
- Extendable jacking beam for various wheelbases.
- With manual release mechanical safety locking unit.
- Steel tracks sliding on ball bearings ensure easy and smoothly on the track.
- Manual or pneumatic drive.

TECHNICAL DATA

| Model No. | CJ | | SCJ | |
|------------------------|-------------|------------|-------------|-------------|
| | Manual Pump | Air Pump | Manual Pump | Air Pump |
| Lifting capacity | 3000kg | 3000kg | 3000kg | 3000kg |
| Max stroke | 450mm | 450mm | 510mm | 510mm |
| Initial height | 230mm | 230mm | 245mm | 245mm |
| Platform width | 805-1130mm | 805-1130mm | 885-1130mm | 885-1130mm |
| Width between adapters | 800-1500mm | 800-1500mm | 785-1700mm | 785-1700mm |
| Support beam | Two stage | Two stage | Three stage | Three stage |
| Air supply | / | 6-8bar | / | 6-8bar |
| Rated oil pressure | 24MPa | 24MPa | 24MPa | 24MPa |
| Weight | 160kg | 160kg | 170kg | 170kg |

* Technical data and composition presented in this catalogue may vary. Pictures reproduced are only indicative.



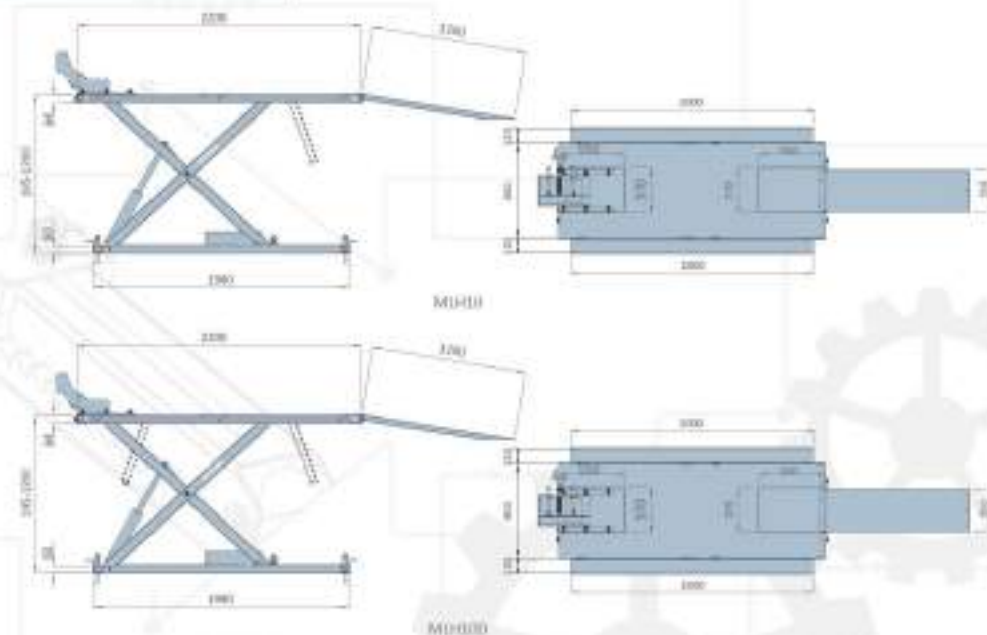
1000KG
Lifting Capacity

Max Lifting Height
1200mm

Hydraulic
Driven System



OVERALL DIMENSION



MLH10/MLH10D

HYDRAULIC LIFTING TABLE

- With a maximal lifting capacity of 1000kg, a rise height of 1200mm and the platform being as wide as 800mm, it is fit for service and repair to various sizes of motorcycles. Surface mounting.
- Built-in power unit, door locking and space saving.
- Rising and lowering movement is easily done using a magnetic hand-held control unit with 24V sensitive voltage.
- Electrical release device. It is very convenient to disengage the mechanical locking unit for lowering operation.
- The ramp is ready to rise at an angle of 10 degrees for easier drive on.
- The drop-down plates are available at both ends of the platform for model EE-MLH10D.
- The drop-down plate is available at the rear side of the lifting platform for model EE-MLH10.
- Robust and automatic mechanical locking device.
- Protective device against linkage. No unexpected collapse in case of oil hose leakage.
- Hydraulically protected against overloading.
- Standard manually operated wheel-clamping device. Its width is adjustable so as to fit the most types of tires.
- Tool tray at both sides.
- Each side of the lifting platform is provided with 4 slots for binding straps so as to satisfy stability requirement in various working circumstances.

TECHNICAL DATA

| MODEL NO. | MLH10/MLH10D |
|-----------------|--------------|
| Rated load | 1000kg |
| Platform length | 2200mm |
| Platform width | 800mm |
| Rise height | 1200mm |
| Initial height | 115mm |
| Rise time | 90s |
| Voltage | 220V/1PH |
| Power | 0.75kW |

* Machine shown with optional equipment. Actual product appearance may differ.



Manually operated wheel clamp



Drop-down ramp
It is low at an angle of 10 degrees.



A traditional type of power unit saves your space.



Electrical release device



Magnetic



Magnetic hand-held control unit with 24V sensitive voltage.



HYDRAULIC LIFTING TABLE

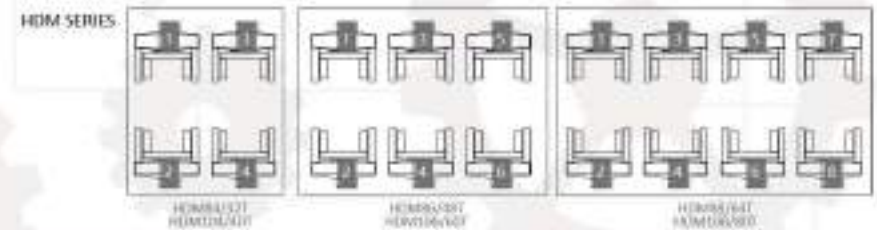
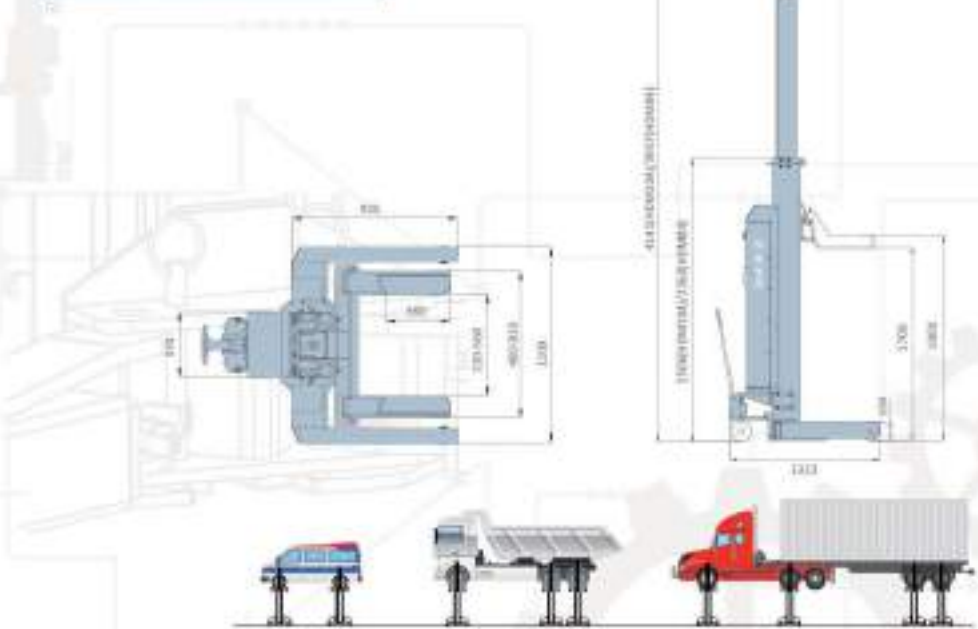
8T/10T
Lifting Capacity of Each Column

48
Maximum Columns

Wired And Wireless
Data Communication



OVERALL DIMENSION



HDM SERIES
HEAVY DUTY MOBILE COLUMN

- Each column has a maximum lifting capacity of 8T/10T.
- Multiple group combination (maximum 48 columns).
- Wired and wireless data communication.
- Double safety guaranteed by mechanical and hydraulic locking systems.
- Synchronization achieved by using inductance technology in the control system.
- Touch screen control, Real-time lifting height.
- Emergency stop button on each column.
- Using the access ID card, any column in the group can become the control column.
- Audible warning for the final travel of lowering movement.
- The lifting system is battery powered. Each column has a charge rating AC110-240V 1P.
- DC24V safe control voltage.
- Adjustable wheel pick-up fork accommodates the diameter from 600 to 1250mm.

TECHNICAL DATA

| MODEL NO. | HDM10 | HDM8 |
|---------------------------------|--------------|--------------|
| Lifting capacity | 10T/8 | 8T/6 |
| Locking release | Electric | Electric |
| Max. lifting height | 1800mm | 1800mm |
| Min. height | 150mm | 150mm |
| Full-line time under rated load | 200% | 100% |
| Motor power | 2.2kW/4 | 2.2kW/4 |
| Oil pressure | 18bar | 18bar |
| Voltage control | DC24V | DC24V |
| Roller Pressure | 14MPa/18R500 | 14MPa/18R500 |
| Approximate Tire Size | 600-1250mm | 600-1250mm |

*Machine shown with optional equipments. Actual product appears may differ.



Touch screen control

Control is only permitted in a authorized column.

Wireless communication

Accurate control for synchronization.

Adjustable wheel supports accommodate the diameter from 600mm to 1250mm

Optional support stands

15T-45T
Lifting Capacity

8000MM
Long Runways of Each Platform

Digital Data
Reading Monitor

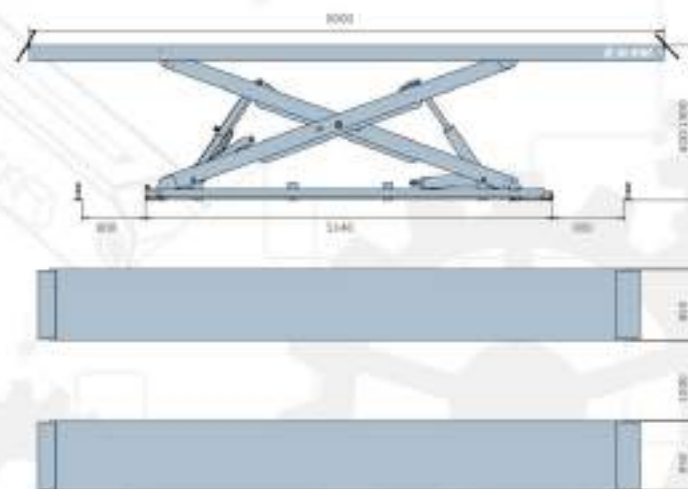


HX150 15T



HX300 30T

OVERALL DIMENSION



TECHNICAL DATA

| MODEL NO | HX150 |
|-------------------------------------|-----------------------------|
| Lifting capacity | 15T |
| Max. lifting height | 3500mm |
| Min. height | 4000mm |
| Platform width | 800mm |
| Complete rise time under rated load | 90s |
| Oil reserve | 40L |
| Flare | 3% |
| Motor power | 3.5kWx2 |
| Air supply | 0.8bar |
| Electricity supply | According To Customer Needs |

* Machine shown with optional equipment. Actual product appearance may differ.



HX SERIES
HEAVY DUTY SCISSOR LIFT

- Hydraulic synchronization by four cylinders. The mechanical safety locking unit automatically releases before descending.
- Safe low control voltage (24V) for all control buttons and switches.
- Constantly read the height and working status of each platform through visual monitor.
- CLOSED-LOOP control system, the two platforms automatically align with each other during every rising and lowering cycles. In normal working, the height deviation is limited within 30mm.
- The lifting system stops working in case that the height deviation exceeds 30mm.
- At least 6 platforms can work together synchronously.

